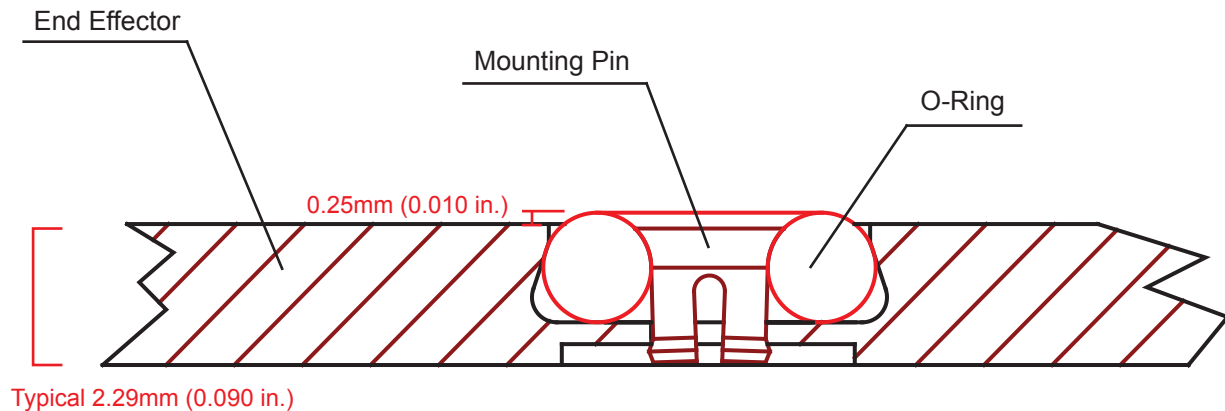


Fabworx O-Rings

Fabworx Solutions'™ Patented O-Ring System for Standard End Effectors



Fabworx Solutions' patented o-ring system provides exceptional coefficient of friction to eliminate wafer sliding and associated particles.

- O-rings extend 0.25mm (0.010 in.) above the surface of the end effector
- A patented mounting pin snaps in place to firmly secure o-ring
- O-rings are easily replaced, yet tightly secured

012-0002-01 kit includes 3 white o-rings
012-0003-01 kit includes 3 clear o-rings
012-0012-01 kit includes 3 white o-rings and 3 mounting pins
012-0103-01 kit includes 3 clear o-rings and 3 mounting pins

Fabworx is a trademark of Fabworx Solutions, Inc.

FABWORX SOLUTIONS, INC.

innovative hardware solutions for your fab equipment

phone 512.870.9191
web www.fabworx.com
email info@fabworx.com

FABWORX SOLUTIONS, INC.
Fabworx™